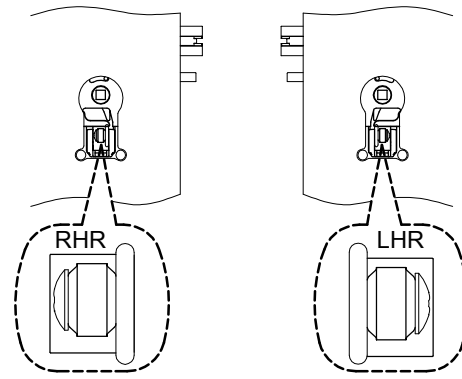
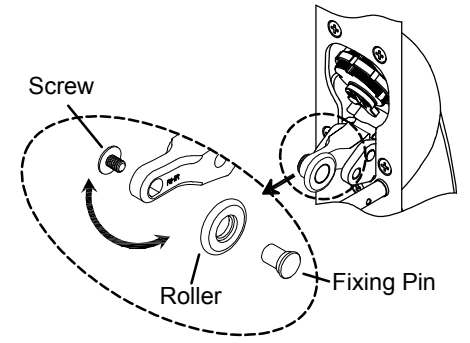


INSTALLATION for MORTISE LOCK

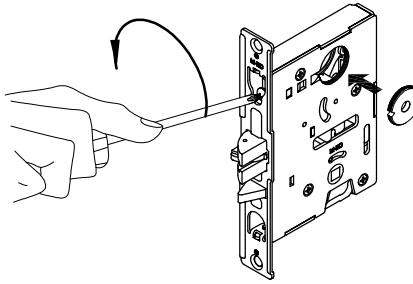
1. Roller installation for RHR and LHR.



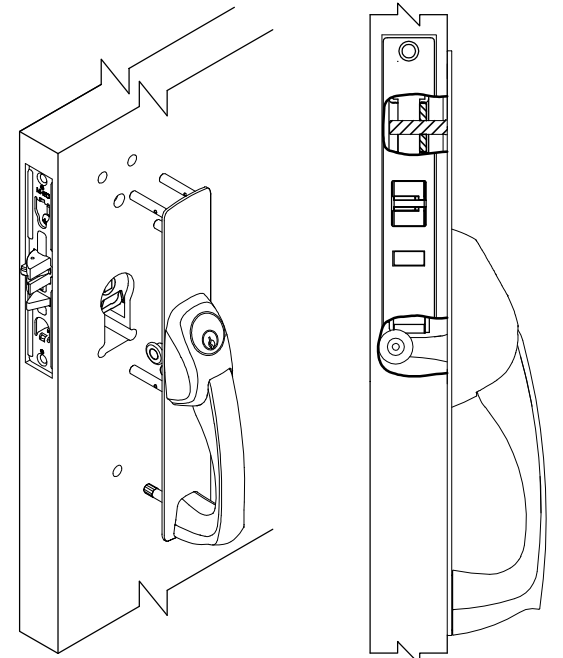
2. Insert Fixing Pin into Roller and fix with Screw.



3. Install Retaining Ring on the outer side of the Mortise Case and tighten.

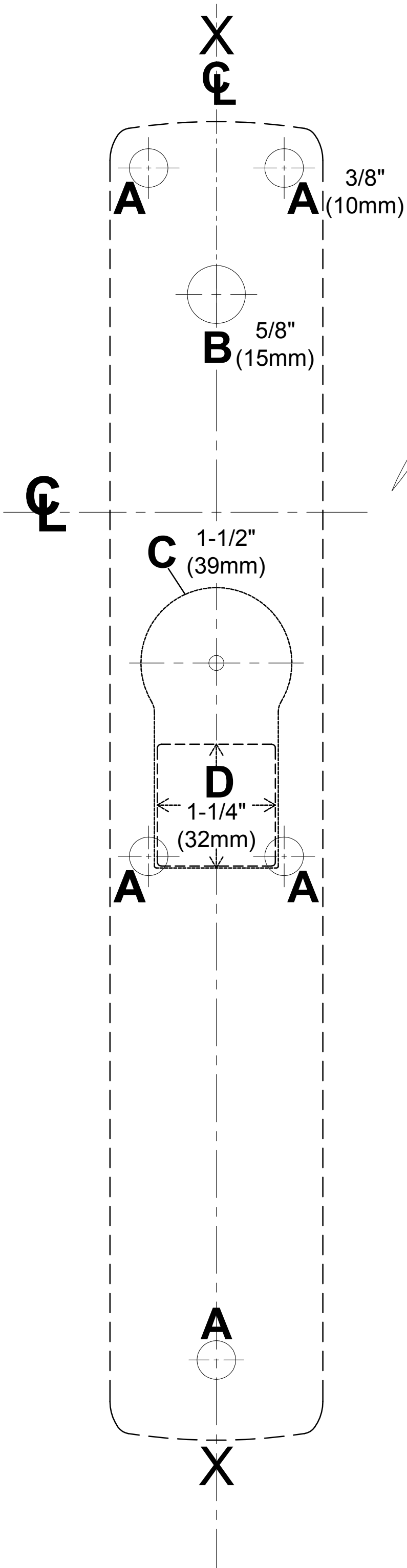


4. Place Trim onto door; check that the Pin and the Retaining rings are aligned correctly and the roller is installed accordingly.

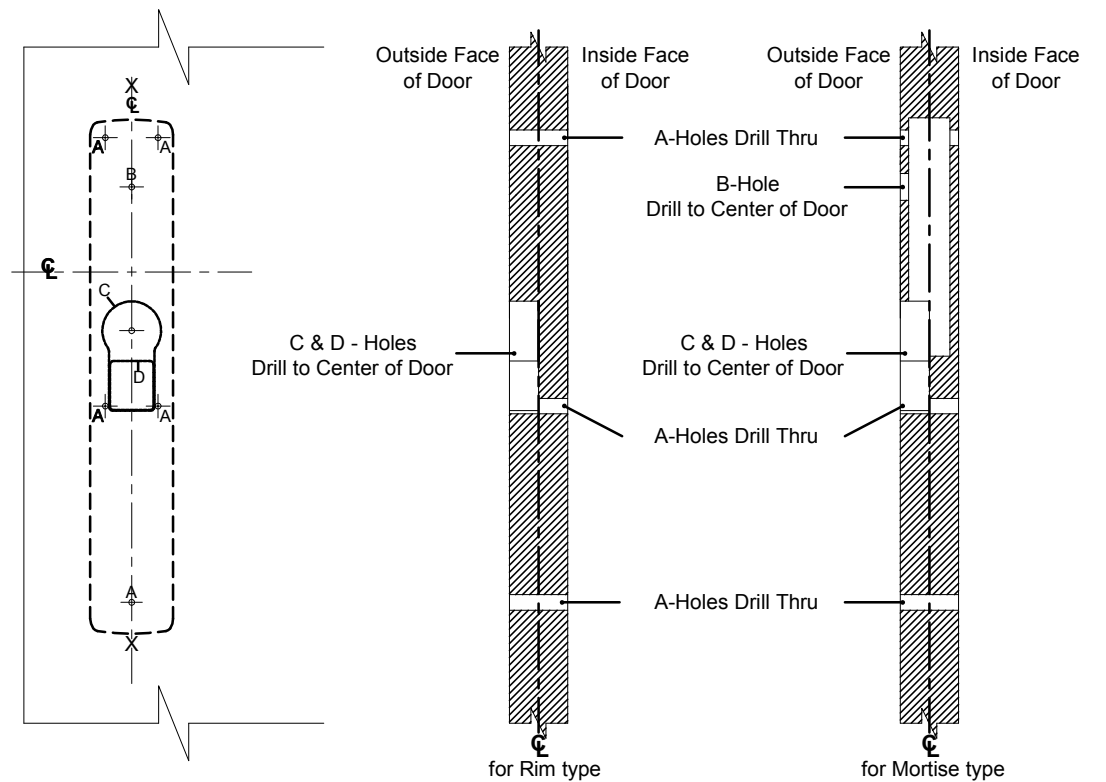


NOTE: The retaining ring must be installed on outer side of the door.

NOTE: If roller is installed incorrectly, the latch will not retract fully.



DOOR PREPARATION



APPLICATION					
DEVICE TYPE	ALL TYPE	RIM AND VERTICAL		MORTISE LOCK	
CUT OUT ILLUSTRATION					
TRIM NO.	602	608R/609R	614R	608M/609M	614M
FUNCTION	02	08/09	14	08/09	14
PREPARATION	A	A+C	A+D	A+B+C	A+B+D